

Ekko 45(45)80 h

Data sheet

Details

- Fireplace insert, open on two sides
- Glass: 1-section
- 45(45)80 – Height 80 cm
- Door ½ guillotine
- Optional: Self-closing door
- Adjustable lower air washing
- Standard fire box inner lining: Vermiculite glatt natur
- High-grade cast-iron dome, all parts can be moved, adjustable between 0 – 90°
- Overall height can be simply and quickly adjusted



Ekko 45(45)80 with ½ guillotine front

Technical data

• Nominal heat output	7 kW
• Thermal output range	3,2 – 7,1 kW
• Efficiency	>78 %
• Insulation thickness (with wall that does not need to be protected) (based on SILCA® 250KM)	60 mm
• Combustion air connector	Ø 125 mm
• Recommend length of logs	33 cm (standing)
• Weight	250 kg
• Heat distribution through the viewing window	50 %
• Heat distribution, convective output	50 %

Data for chimney sweep according to DIN EN 13384 (closed operation)

Triple values with nominal heat output

• Flue gas mass flow	6,8 g/s
• Flue gas temperature	310 °C
• Required delivery pressure	12 Pa

Triple values for calculating ceramic flues (wood fuel)

• Firing power	–
• Flue gas mass flow	–
• Flue gas temperature upstream of the connecting surface	–
• Required delivery pressure at the flue gas connector	–
• Combustion air requirement	–
• Recommended flue length ¹	–

Data for closed design

• Minimum heat-emitting surface ²	3,0 m ²
----------------------------------------------	--------------------

¹The information regarding flue lengths is a recommendation and based on the calculation in accordance with TrOI 2020 chapter 15. The calculation is based on a medium-heavy design and a flue ratio of 360 cm².

²Average value based on the storage time. Dependent on the material properties and the construction thickness. Mean specific heat distribution = approx. 500 W/m²

There may be modifications to the colour and technical details caused by ongoing developments; subject to errors and omissions. Dated: 01/2022

Standard



Kristall front



Guillotine door



125 mm
Combustion air connector

Optional



Frame



Support frame system



150 mm
Combustion air connector

Accessories



SMR



Energy efficiency class in accordance with (EU) 2015/1186



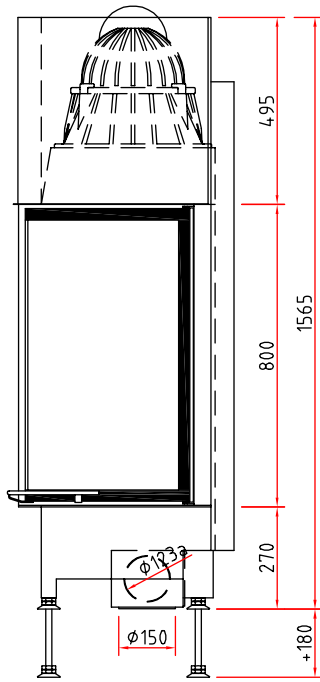
1. Federal Emissions Control Ordinance Stage 2



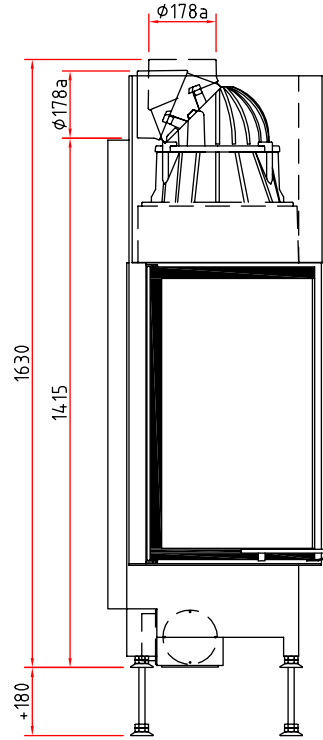
Ekko 45(45)80 h

Dimensional drawing

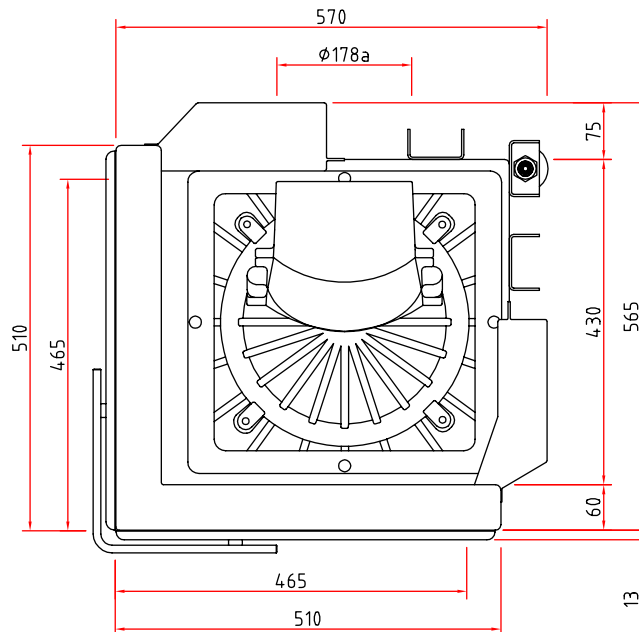
Front view, scale 1:20



Side view, scale 1:20



Top view, scale 1:10



Product data sheet

Regulation (EU) 2015/1186 supplementing Directive 2010/30/EU

	Ekko 45(45) s/h
Supplier's name:	Camina & Schmid Feuerdesign und Technik GmbH & Co. KG
Supplier's model identifier:	Ekko 45(45) s/h
Energy efficiency class:	A
Direct heat output (kW)	7,0
Indirect heat output (kW):	–
Energy efficiency index (EEI):	104,6
Energy efficiency at nominal heat output (%):	79,0
Notes for specific precautions, installation or maintenance:	Please note the reference in the assembly instructions and operating manuals!

There may be modifications to technical details caused by ongoing developments; subject to errors and omissions. Dated: 11/2021



ENERG
енергия · ενέργεια



Camina  Schmid Ekko 45(45) s/h



7,0
kW

ENERGIA · ЕНЕРГИЯ · ΕΝΕΡΓΕΙΑ · ENERGIJA · ENERGY · ENERGIE · ENERGI

2015/1186

Technical documentation for individual room heating appliances for use with solid fuels

Regulation (EU) 2015/1185 supplementary to Directive 2010/30/EU

Name and address of the manufacturer: Camina & Schmid Feuerdesign und Technik GmbH & Co. KG

Model identifier: Ekko 45(45)

Equivalent models: –

Test reports: RRF – 29 06 1077

Harmonised standards: EN 13229:2001/A2:2004/AC:2007

Other applied standards or technical specifications: –

Indirect heating function (yes/no): no

Direct thermal output: 7.0 kW

Indirect thermal output: –

Properties when operating with the preferred fuel

Room heating annual efficiency η_s 5%: 65

Energy efficiency index (EEI): 104.6

Fuel	Preferred fuel (only one)	Other suitable fuel(s)	η_s [x%]	Emissions at nominal heat output (*)				Emissions at minimum thermal output (*) (**)			
				PM	OGC	CO	NO _x	PM	OGC	CO	NO _x
				[x] mg/Nm ³ (13 % O ₂)				[x] mg/Nm ³ (13 % O ₂)			
Wood logs, moisture content ≤ 25%	yes	no	75	40	120	1500	200	–	–	–	–
Wood logs, moisture content < 12%	no	no	–	–	–	–	–	–	–	–	–
Other wood-like biomass	no	no	–	–	–	–	–	–	–	–	–
Non-wood-like biomass	no	no	–	–	–	–	–	–	–	–	–
Anthracite and dry charcoal	no	no	–	–	–	–	–	–	–	–	–
Hard coal coke	no	no	–	–	–	–	–	–	–	–	–
Low-temperature coke	no	no	–	–	–	–	–	–	–	–	–
Bituminous coal	no	no	–	–	–	–	–	–	–	–	–
Lignite briquettes	no	no	–	–	–	–	–	–	–	–	–
Peat briquettes	no	no	–	–	–	–	–	–	–	–	–
Briquettes made from a mixture of fossil fuels	no	no	–	–	–	–	–	–	–	–	–
Other fossil fuels	no	no	–	–	–	–	–	–	–	–	–
Briquettes made from a mixture of biomass and fossil fuels	no	no	–	–	–	–	–	–	–	–	–
Other mixture of biomass and solid fuels	no	no	–	–	–	–	–	–	–	–	–

(*) PM = particulate matter, OGC = organic gaseous compounds, CO = carbon monoxide, NO_x = nitrous oxides

(**) Only required when using correction factors F(2) or F(3).

There may be modifications to the technical details caused by ongoing developments; subject to errors and omissions. Dated: 01/2022

Technical documentation for individual room heating appliances for use with solid fuels

Regulation (EU) 2015/1185 supplementary to Directive 2010/30/EU

Thermal output			Type of thermal output / Room temperature control (please select one)	
• Nominal heat output P_{nom}	7.0 kW		• One-stage thermal output, no room temperature control	yes
• Minimum heat output P_{min}	–		• Two or more stages, no room temperature control	no
Auxiliary power consumption			• Room temperature control by a mechanical thermostat	no
• At nominal heat output $e_{l,max}$	–		• with electronic room temperature control	no
• At minimum heat output $e_{l,min}$	–		• with electronic room temperature control and daytime control	no
• In standby mode $e_{l,SB}$	–		• with electronic room temperature control and weekday control	no
Fuel efficiency (based on the calorific value (NCV))			Other controls (more than one answer is possible)	
• Fuel efficiency at nominal heat output, $\eta_{th,nom}$	79.0 %		• Room temperature control with presence detection	no
• Fuel efficiency at minimal heat output, $\eta_{th,min}$	–		• Room temperature control with detection of open windows	no
Power requirement of the pilot flame			• With remote control option	no
• Power requirement of the pilot flame (if present), P_{pilot}	–			

Specific precautions for assembly, installation or maintenance

Please refer to the information in the installation and operating instructions!

There may be modifications to the technical details caused by ongoing developments; subject to errors and omissions. Dated: 01/2022