

# Ekko W L 67(45)51 S with frame doors

## Data sheet

### Details

- Boiler unit open on two sides, based on the Ekko range, fully water-washed
- With frame doors
- 67(45)51 – Height 51 cm
- Self-closing door
- Adjustable lower air washing
- Front hinged, side part fixed
- Standard fire box inner lining: "Premium White" smooth chamotte
- High-grade cast-iron dome, all parts can be moved, adjustable between 0 – 90°



Ekko W L 67(45)51 with frame doors and hinged front

### Technical data

• Nominal heat output	14,9 kW
• Water heat output	7 kW
• Thermal output range	–
• Efficiency	>80 %
• Insulation thickness (with wall that does not need to be protected) (based on SILCA® 250KM)	60 mm
• Combustion air connector	Ø 125 mm
• Recommend length of logs	33 cm
• Weight	310 kg
• Heat distribution through the viewing window	30 %
• Heat distribution, convective output	20 %
• Heat distribution: waterside output	50 %
• Water content	52 ltr.
• Max. operating pressure	3,0 bar

**Data for chimney sweep** according to DIN EN 13384 (closed operation)

### Triple values with nominal heat output

• Flue gas mass flow	17,0 g/s
• Flue gas temperature	215 °C
• Required delivery pressure	12 Pa

### Triple values for calculating ceramic flues (wood fuel)

• Recommended flue length <sup>1</sup>	–
----------------------------------------	---

### Data for closed design

• Minimum heat-emitting surface <sup>2</sup>	–
----------------------------------------------	---

<sup>1</sup>The information regarding flue lengths is a recommendation and based on the calculation in accordance with Tr01 2020 chapter 15. The calculation is based on a medium-heavy design and a flue ratio of 360 cm<sup>2</sup>.

<sup>2</sup>Average value based on the storage time. Dependent on the material properties and the construction thickness. Mean specific heat distribution = approx. 500 W/m<sup>2</sup>

There may be modifications to the colour and technical details caused by ongoing developments; subject to errors and omissions. Dated: 01/2022

### Standard



Hydronic technology



Kristall front



Door hinge on right



Double glazing



125 mm  
Combustion air connector

### Optional



150 mm  
Combustion air connector

### Accessories



SMR



Energy efficiency class in accordance with (EU) 2015/1186



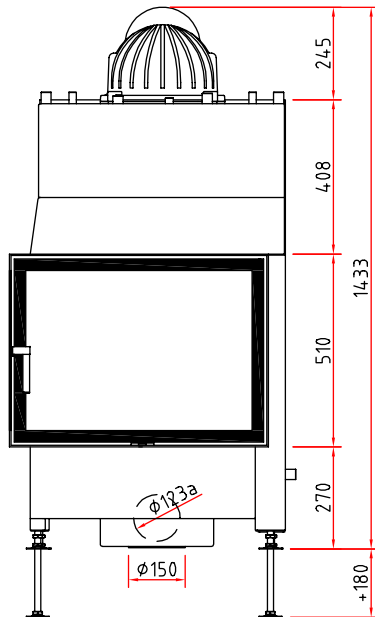
1. Federal Emissions Control Ordinance Stage 2



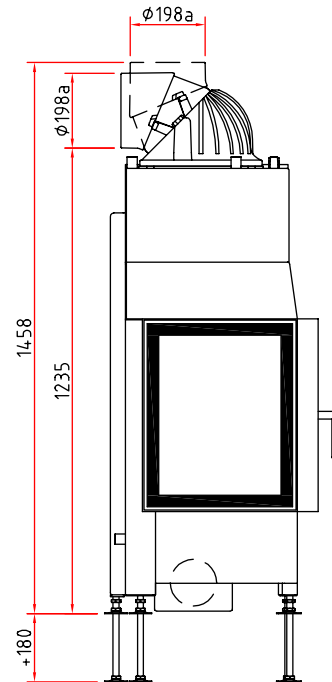
# Ekko W L 67(45)51 S with frame doors

## Dimensional drawing

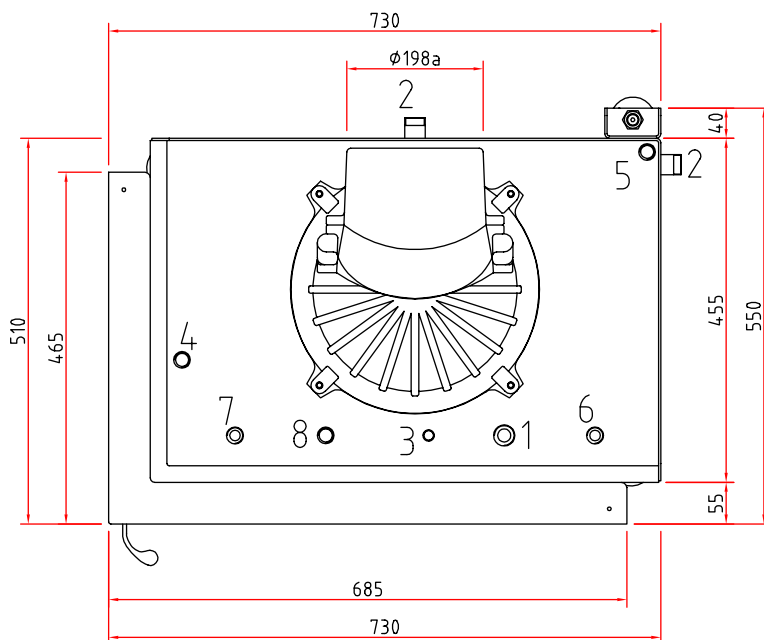
Front view, scale 1:20



Side view, scale 1:20



Top view, scale 1:10



Water connections

- 1 Heating flow 3/4" male
- 2 Return 3/4" male
- 3 Quick vent 3/8" female
- 4 Pump control sensor 1/2" female
- 5 Sensor for thermal discharge safety device (TAS) 1/2" female
- 6 Fresh water supply 1/2" male / thermal discharge safety device
- 7 Fresh water drain 1/2" male / thermal discharge safety device
- 8 Safety valve 1/2" female

**Important notes**

- Ensure that all connections and safety devices are accessible (e.g. grille or inspection door).
- Never exceed the maximum ambient temperature of 160 °C.
- Fit the safety valve, thermal discharge safety device and air vent in the cold part of the system, if required.

## Product data sheet

Regulation (EU) 2015/1186 supplementing Directive 2010/30/EU

	<b>Ekko W L/R 67 s/ h</b>
<b>Supplier's name:</b>	Camina & Schmid Feuerdesign und Technik GmbH & Co. KG
<b>Supplier's model identifier:</b>	Ekko W L/R 67 s/h
<b>Energy efficiency class:</b>	A+
<b>Direct heat output (kW)</b>	7,9
<b>Indirect heat output (kW):</b>	7,0
<b>Energy efficiency index (EEI):</b>	109,0
<b>Energy efficiency at nominal heat output (%):</b>	82,1
<b>Notes for specific precautions, installation or maintenance:</b>	Please note the reference in the assembly instructions and operating manuals!

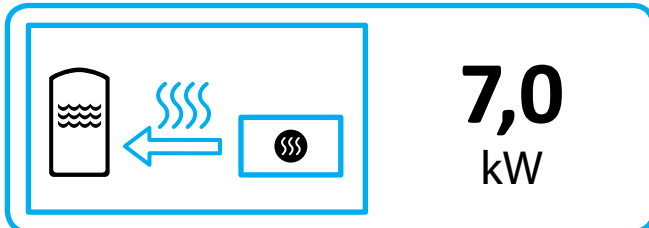
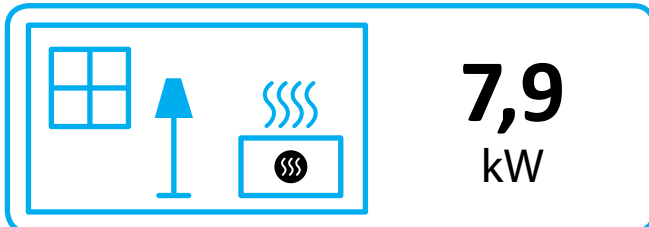
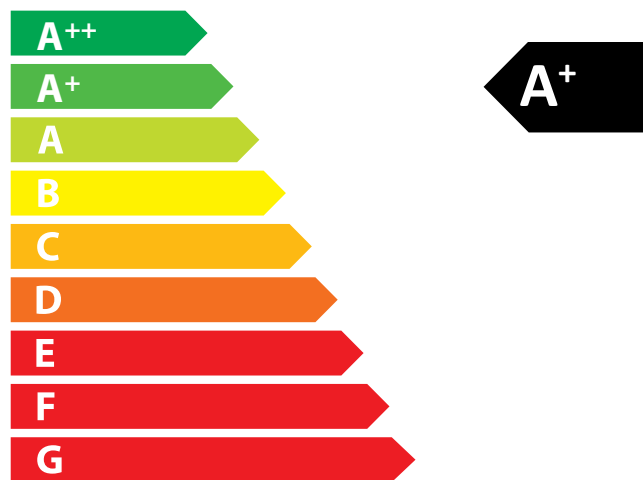
*There may be modifications to technical details caused by ongoing developments; subject to errors and omissions. Dated: 11/2021*



**ENERG**  
енергия · ενέργεια



Camina  Schmid Ekko W L/R 67 s/h



ENERGIA · ЕНЕРГИЯ · ΕΝΕΡΓΕΙΑ · ENERGIJA · ENERGY · ENERGIE · ENERGI

2015/1186

## Technical documentation for individual room heating appliances for use with solid fuels

Regulation (EU) 2015/1185 supplementary to Directive 2010/30/EU

Name and address of the manufacturer: Camina & Schmid Feuerdesign und Technik GmbH & Co. KG

Model identifier: Ekko W L/R 67

Equivalent models: –

Test reports: DBI F 11/12/0182

Harmonised standards: EN 13229:2001/A2:2004/AC:2007

Other applied standards or technical specifications: –

Indirect heating function (yes/no): yes

Direct thermal output: 7.9 kW

Indirect thermal output: 7.0 kW

### Properties when operating with the preferred fuel

Room heating annual efficiency  $\eta_s$  5%: 65

Energy efficiency index (EEI): 109.0

Fuel	Preferred fuel (only one)	Other suitable fuel(s)	$\eta_s$ [x%]	Emissions at nominal heat output (*)				Emissions at minimum thermal output (*) (**)			
				PM	OGC	CO	NO <sub>x</sub>	PM	OGC	CO	NO <sub>x</sub>
				[x] mg/Nm <sup>3</sup> (13 % O <sub>2</sub> )				[x] mg/Nm <sup>3</sup> (13 % O <sub>2</sub> )			
Wood logs, moisture content ≤ 25%	yes	no	75	40	120	1500	200	–	–	–	–
Wood logs, moisture content < 12%	no	no	–	–	–	–	–	–	–	–	–
Other wood-like biomass	no	no	–	–	–	–	–	–	–	–	–
Non-wood-like biomass	no	no	–	–	–	–	–	–	–	–	–
Anthracite and dry charcoal	no	no	–	–	–	–	–	–	–	–	–
Hard coal coke	no	no	–	–	–	–	–	–	–	–	–
Low-temperature coke	no	no	–	–	–	–	–	–	–	–	–
Bituminous coal	no	no	–	–	–	–	–	–	–	–	–
Lignite briquettes	no	no	–	–	–	–	–	–	–	–	–
Peat briquettes	no	no	–	–	–	–	–	–	–	–	–
Briquettes made from a mixture of fossil fuels	no	no	–	–	–	–	–	–	–	–	–
Other fossil fuels	no	no	–	–	–	–	–	–	–	–	–
Briquettes made from a mixture of biomass and fossil fuels	no	no	–	–	–	–	–	–	–	–	–
Other mixture of biomass and solid fuels	no	no	–	–	–	–	–	–	–	–	–

(\*) PM = particulate matter, OGC = organic gaseous compounds, CO = carbon monoxide, NO<sub>x</sub> = nitrous oxides

(\*\*) Only required when using correction factors F(2) or F(3).

There may be modifications to the technical details caused by ongoing developments; subject to errors and omissions. Dated: 01/2022

## Technical documentation for individual room heating appliances for use with solid fuels

Regulation (EU) 2015/1185 supplementary to Directive 2010/30/EU

<b>Thermal output</b>			<b>Type of thermal output / Room temperature control (please select one)</b>	
• Nominal heat output $P_{nom}$	14.9 kW		• One-stage thermal output, no room temperature control	yes
• Minimum heat output $P_{min}$	–		• Two or more stages, no room temperature control	no
<b>Auxiliary power consumption</b>			• Room temperature control by a mechanical thermostat	no
• At nominal heat output $e_{l,max}$	–		• with electronic room temperature control	no
• At minimum heat output $e_{l,min}$	–		• with electronic room temperature control and daytime control	no
• In standby mode $e_{l,SB}$	–		• with electronic room temperature control and weekday control	no
<b>Fuel efficiency (based on the calorific value (NCV))</b>				
• Fuel efficiency at nominal heat output, $\eta_{th,nom}$	82.1 %			
• Fuel efficiency at minimal heat output, $\eta_{th,min}$	–		<b>Other controls (more than one answer is possible)</b>	
<b>Power requirement of the pilot flame</b>			• Room temperature control with presence detection	no
• Power requirement of the pilot flame (if present), $P_{pilot}$	–		• Room temperature control with detection of open windows	no
			• With remote control option	no

### Specific precautions for assembly, installation or maintenance

Please refer to the information in the installation and operating instructions!

*There may be modifications to the technical details caused by ongoing developments; subject to errors and omissions. Dated: 01/2022*