

Ekko W R 67(45)51 S with frame doors

Data sheet

Details

- Boiler unit open on two sides, based on the Ekko range, fully water-washed
- With frame doors
- 67(45)51 – Height 51 cm
- Self-closing door
- Adjustable lower air washing
- Front hinged, side part fixed
- Standard fire box inner lining: "Premium White" smooth chamotte
- High-grade cast-iron dome, all parts can be moved, adjustable between 0 – 90°



Ekko W R 67(45)51 with frame doors and hinged front

Technical data

• Nominal heat output	14,9 kW
• Water heat output	7 kW
• Thermal output range	–
• Efficiency	>80 %
• Insulation thickness (with wall that does not need to be protected) (based on SILCA® 250KM)	60 mm
• Combustion air connector	Ø 125 mm
• Recommend length of logs	33 cm
• Weight	310 kg
• Heat distribution through the viewing window	30 %
• Heat distribution, convective output	20 %
• Heat distribution: waterside output	50 %
• Water content	52 ltr.
• Max. operating pressure	3,0 bar

Data for chimney sweep according to DIN EN 13384 (closed operation)

Triple values with nominal heat output

• Flue gas mass flow	17,0 g/s
• Flue gas temperature	215 °C
• Required delivery pressure	12 Pa

Triple values for calculating ceramic flues (wood fuel)

• Recommended flue length ¹	–
--	---

Data for closed design

• Minimum heat-emitting surface ²	–
--	---

¹The information regarding flue lengths is a recommendation and based on the calculation in accordance with TrDl 2020 chapter 15. The calculation is based on a medium-heavy design and a flue ratio of 360 cm².

²Average value based on the storage time. Dependent on the material properties and the construction thickness. Mean specific heat distribution = approx. 500 W/m²

There may be modifications to the colour and technical details caused by ongoing developments; subject to errors and omissions. Dated: 01/2022

Standard



Hydronic technology



Kristall front



Door hinge on left



Double glazing



125 mm
Combustion air connector

Optional



150 mm
Combustion air connector

Accessories



SMR



Energy efficiency class in accordance with (EU) 2015/1186



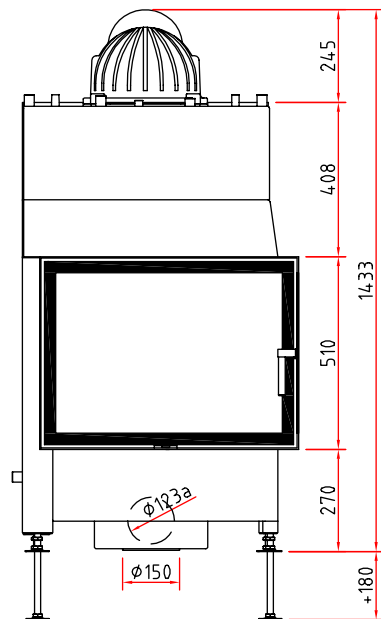
1. Federal Emissions Control Ordinance Stage 2



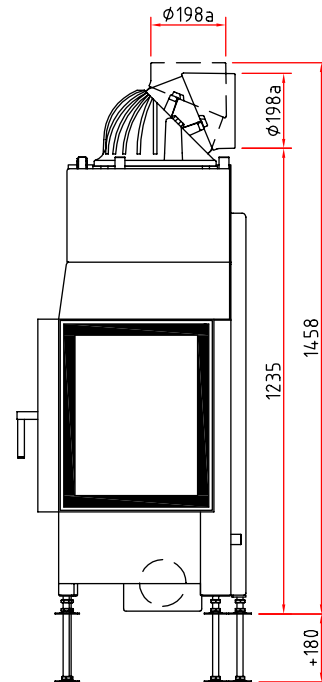
Ekko W R 67(45)51 S with frame doors

Dimensional drawing

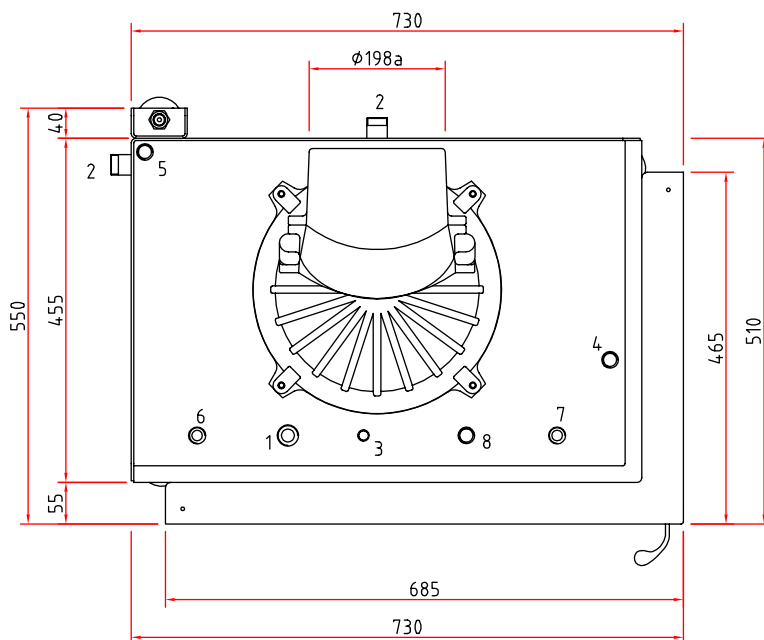
Front view, scale 1:20



Side view, scale 1:20



Top view, scale 1:10



Water connections

- 1 Heating flow 3/4" male
- 2 Return 3/4" male
- 3 Quick vent 3/8" female
- 4 Pump control sensor 1/2" female
- 5 Sensor for thermal discharge safety device (TAS) 1/2" female
- 6 Fresh water supply 1/2" male / thermal discharge safety device
- 7 Fresh water drain 1/2" male / thermal discharge safety device
- 8 Safety valve 1/2" female

Important notes

- Ensure that all connections and safety devices are accessible (e.g. grille or inspection door).
- Never exceed the maximum ambient temperature of 160 °C.
- Fit the safety valve, thermal discharge safety device and air vent in the cold part of the system, if required.

Product data sheet

Regulation (EU) 2015/1186 supplementing Directive 2010/30/EU

	Ekko W L/R 67 s/ h
Supplier's name:	Camina & Schmid Feuerdesign und Technik GmbH & Co. KG
Supplier's model identifier:	Ekko W L/R 67 s/h
Energy efficiency class:	A+
Direct heat output (kW)	7,9
Indirect heat output (kW):	7,0
Energy efficiency index (EEI):	109,0
Energy efficiency at nominal heat output (%):	82,1
Notes for specific precautions, installation or maintenance:	Please note the reference in the assembly instructions and operating manuals!

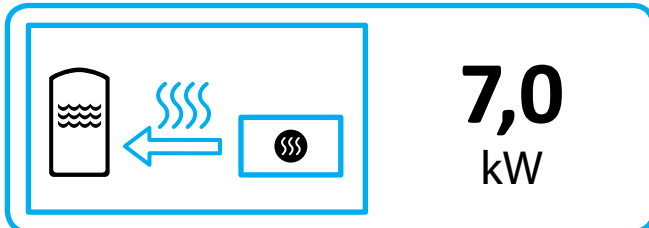
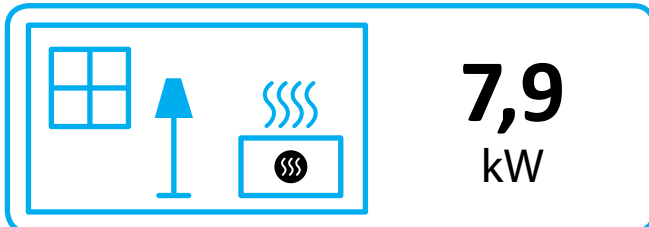
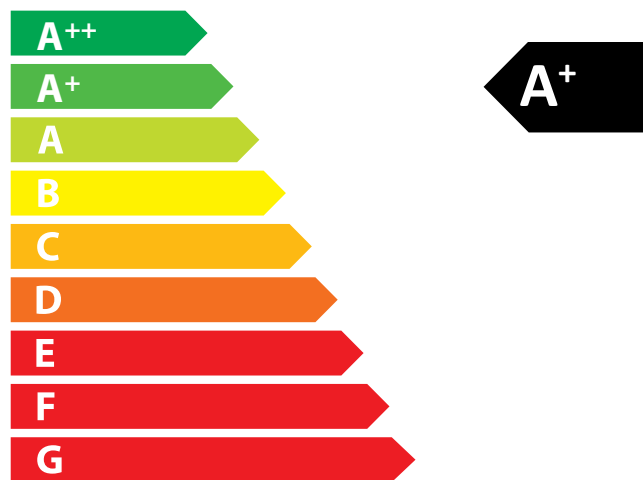
There may be modifications to technical details caused by ongoing developments; subject to errors and omissions. Dated: 11/2021



ENERG
енергия · ενέργεια



Camina  Schmid Ekko W L/R 67 s/h



ENERGIA · ЕНЕРГИЯ · ΕΝΕΡΓΕΙΑ · ENERGIJA · ENERGY · ENERGIE · ENERGI

2015/1186

Technical documentation for individual room heating appliances for use with solid fuels

Regulation (EU) 2015/1185 supplementary to Directive 2010/30/EU

Name and address of the manufacturer: Camina & Schmid Feuerdesign und Technik GmbH & Co. KG

Model identifier: Ekko W L/R 67

Equivalent models: –

Test reports: DBI F 11/12/0182

Harmonised standards: EN 13229:2001/A2:2004/AC:2007

Other applied standards or technical specifications: –

Indirect heating function (yes/no): yes

Direct thermal output: 7.9 kW

Indirect thermal output: 7.0 kW

Properties when operating with the preferred fuel

Room heating annual efficiency η_s 5%: 65

Energy efficiency index (EEI): 109.0

Fuel	Preferred fuel (only one)	Other suitable fuel(s)	η_s [x%]	Emissions at nominal heat output (*)				Emissions at minimum thermal output (*) (**)			
				PM	OGC	CO	NO _x	PM	OGC	CO	NO _x
				[x] mg/Nm ³ (13 % O ₂)				[x] mg/Nm ³ (13 % O ₂)			
Wood logs, moisture content ≤ 25%	yes	no	75	40	120	1500	200	–	–	–	–
Wood logs, moisture content < 12%	no	no	–	–	–	–	–	–	–	–	–
Other wood-like biomass	no	no	–	–	–	–	–	–	–	–	–
Non-wood-like biomass	no	no	–	–	–	–	–	–	–	–	–
Anthracite and dry charcoal	no	no	–	–	–	–	–	–	–	–	–
Hard coal coke	no	no	–	–	–	–	–	–	–	–	–
Low-temperature coke	no	no	–	–	–	–	–	–	–	–	–
Bituminous coal	no	no	–	–	–	–	–	–	–	–	–
Lignite briquettes	no	no	–	–	–	–	–	–	–	–	–
Peat briquettes	no	no	–	–	–	–	–	–	–	–	–
Briquettes made from a mixture of fossil fuels	no	no	–	–	–	–	–	–	–	–	–
Other fossil fuels	no	no	–	–	–	–	–	–	–	–	–
Briquettes made from a mixture of biomass and fossil fuels	no	no	–	–	–	–	–	–	–	–	–
Other mixture of biomass and solid fuels	no	no	–	–	–	–	–	–	–	–	–

(*) PM = particulate matter, OGC = organic gaseous compounds, CO = carbon monoxide, NO_x = nitrous oxides

(**) Only required when using correction factors F(2) or F(3).

There may be modifications to the technical details caused by ongoing developments; subject to errors and omissions. Dated: 01/2022

Technical documentation for individual room heating appliances for use with solid fuels

Regulation (EU) 2015/1185 supplementary to Directive 2010/30/EU

Thermal output			Type of thermal output / Room temperature control (please select one)	
• Nominal heat output P_{nom}	14.9 kW		• One-stage thermal output, no room temperature control	yes
• Minimum heat output P_{min}	–		• Two or more stages, no room temperature control	no
Auxiliary power consumption			• Room temperature control by a mechanical thermostat	no
• At nominal heat output $e_{l,max}$	–		• with electronic room temperature control	no
• At minimum heat output $e_{l,min}$	–		• with electronic room temperature control and daytime control	no
• In standby mode $e_{l,SB}$	–		• with electronic room temperature control and weekday control	no
Fuel efficiency (based on the calorific value (NCV))			Other controls (more than one answer is possible)	
• Fuel efficiency at nominal heat output, $\eta_{th,nom}$	82.1 %		• Room temperature control with presence detection	no
• Fuel efficiency at minimal heat output, $\eta_{th,min}$	–		• Room temperature control with detection of open windows	no
Power requirement of the pilot flame			• With remote control option	no
• Power requirement of the pilot flame (if present), P_{pilot}	–			

Specific precautions for assembly, installation or maintenance

Please refer to the information in the installation and operating instructions!

There may be modifications to the technical details caused by ongoing developments; subject to errors and omissions. Dated: 01/2022